

ELIZABETH

CORDLESS TABLE LAMP



DESIGNED & ASSEMBLED
IN AUSTRALIA



5 YEARS
WARRANTY



95+ CRI
LED



ALL PARTS
REPLACEABLE



INTERNATIONAL
DELIVERY



Natural
Forged Brass with
Cotton Cone



Natural
Forged Brass with
Cotton Drum



Natural
Forged Brass with
Pleated Silk Cone



Natural
Forged Brass with
Pleated Silk Drum



Natural
Forged Brass
No Shade



Natural
Aged Brass with
Cotton Cone



Natural
Aged Brass with
Cotton Drum



Natural
Aged Brass with
Pleated Silk Cone



Natural
Aged Brass with
Pleated Silk Drum

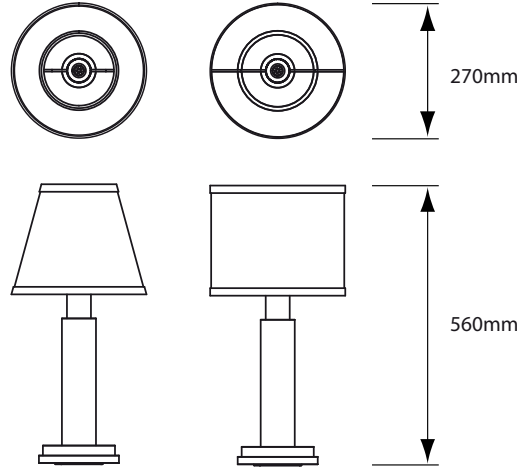


Natural
Aged Brass
No Shade

Elizabeth - Technical Description

Handmade cotton or pleated silk shade on a polished solid brass constructed from forged and extruded components. This cordless lamp provides direct downlight and soft diffused sidelight. Available in natural brass finish or aged brass. Digital 3 step dimming.

Designer	Peter Ellis, Gabriel Tam, James Perry
Year of Design	2022
IP Rating	IP30
Dimensions	560mm x 270mm (22"i) x (10"i)
Weight	2.8 kg / 6.2 lb
Approvals & Standards	CE, CSA, C-Tick, FCC, RoHS, SASO
EU Energy Regulation	Exempt - LED lamps operate on batteries



Type	Battery	Cells	Charge Time	Light Source Option	Colour Temperature (Kelvin)	Operating Time (hours)			Brightness (lumens)	CRI*	Bulb Life (Hours)
						Normal mode	High	Med			
PRO	Panasonic Li-ion 11.1V 5800mAh 500+ cycles	6	8.5hrs	3W LED Warm White	2600k	22	39	103	300+	95+	50,000+

COLOUR RENDERING INDEX (CRI) The quantitative measure of the ability of a light source to reproduce the colors of various objects faithfully in comparison with an ideal or natural light source. The highest possible CRI is 100.

POWER SOURCE 100 - 240V Switch-Mode Electronic Power Supply
Approved for worldwide usage supplied with appropriate mains electric plug type

Included Charging Accessories

